

FBT ?

FBT stands for Fly Back Transformer (or Horizontal Output Trans.) Utilizing HV Coil, it stops Pulse Voltage generated from LC Rectifying circuit in Output circuit of TV and monitor. FBT is the Pulse Trans providing horizontal deflection circuit with high voltage needed for Anode of CRT and providing voltage needed for TV and monitor circuit (AFC, AGC, Video and FOCUS circuit)

FBT has undergone a lot of changes with the development of TV and monitor technology, and as for the monitor, FBT is one of its expensive and important part which influences its function over 70%

APPLICATION OF FBT CORE

- TV
- DISPLAY
- VTR CAMERA
- (CRT UNIT, MEDICAL INSTRUMENTS
AIR CLEANER, COPY M/C, CHOKE COIL etc.)
- High Voltage Transformers
- Ozone Generator
- Neon Power Supply

WHAT FBT CAN DO FOR YV DISPLAY?

- Supply high voltage for CRT ANODE
- Supply AC voltage and DC voltage for other set

Basic circuit of FBT

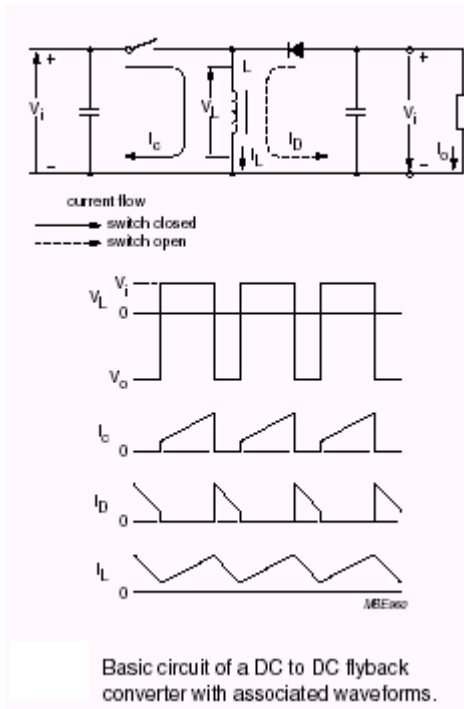
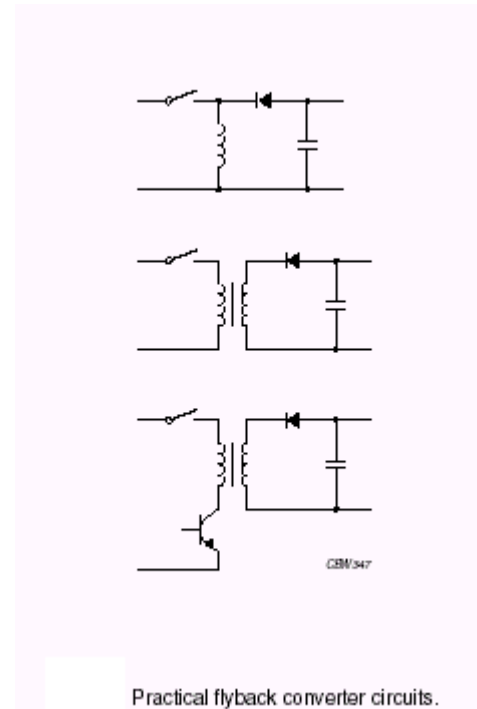


Figure Shows the circuit of a fly back of a fly back converter



The basic circuit can be developed into a practical circuit using an inductor with windings as above.