

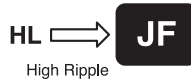
LARGE ALUMINUM ELECTROLYTIC CAPACITORS

New



Long Life, High Ripple Series

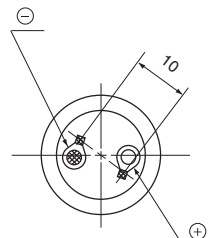
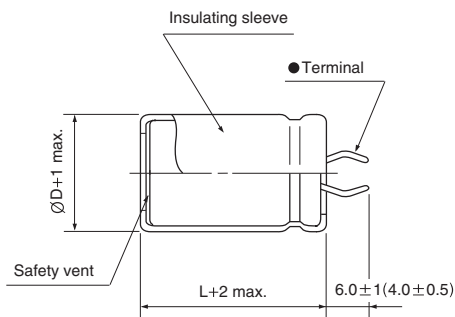
- Long life and high ripple than HL series
- Voltage range of 400 ~ 450V
- Load life of 5000 hours at 105°C
- Complied to the RoHS directive



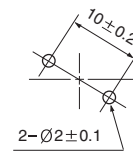
Item	Characteristics		
Operating temperature range	-25 ~ +105°C		
Capacitance tolerance	±20% at 120Hz, 20°C		
Leakage current max.	$I=3\sqrt{CV}$ (µA) (after 5 minutes)		
Dissipation factor max.	Capacitance > 1000µF : tanδ increases by 0.01 for each 1000µF from below value.		
	WV	400	450
	tanδ	0.15	0.20
Load life (after application of the rated voltage for 5000 hours at 105°C)	Leakage current	Less than specified value	
	Capacitance change	Within ±25% of initial value	
	tanδ	Less than 250% of specified value	
Shelf life (at 105°C)	After 1000 hours no load test, leakage current, capacitance and tanδ are same as load life value. The measurement shall be performed at 20°C by the KS C IEC 60384 - 4		

● DRAWING

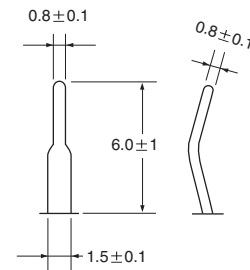
Unit : mm



PC Board Mounting Holes



● Terminal



* Shorter terminal(4.0±0.5) is also available upon request. Terminal length of height 20mm products is applied shorter terminal to standard terminal type.

● FREQUENCY COEFFICIENT OF PERMISSIBLE RIPPLE CURRENT

WV \ Frequency	50Hz	120Hz	300Hz	1kHz	10kHz ≤
400, 450	0.85	1.00	1.15	1.20	1.40

JF series

● DIMENSIONS & MAXIMUM PERMISSIBLE RIPPLE CURRENT

WV μF	400				450			
	22	25.4	30	35	22	25.4	30	35
56					22 × 20 0.53			
68	22 × 20 0.58				22 × 25 0.61	25.4 × 20 0.62		
82	22 × 25 0.62	25.4 × 20 0.69			22 × 25 0.67	25.4 × 25 0.69		
100	22 × 25 0.74	25.4 × 25 0.75			22 × 30 0.79	25.4 × 25 0.81	30 × 20 0.84	
120	22 × 30 0.86	25.4 × 25 0.84	30 × 20 0.92		22 × 35 0.90	25.4 × 30 0.89	30 × 25 0.92	35 × 20 0.99
150	22 × 35 1.02	25.4 × 30 0.99	30 × 25 1.02		22 × 40 1.06	25.4 × 35 1.11	30 × 25 1.09	35 × 25 1.11
180	22 × 40 1.16	25.4 × 30 1.15	30 × 25 1.20		22 × 45 1.22	25.4 × 35 1.22	30 × 30 1.20	35 × 25 1.22
220	22 × 45 1.35	25.4 × 35 1.35	30 × 30 1.32	35 × 25 1.35	22 × 50 1.35	25.4 × 45 1.40	30 × 35 1.39	35 × 30 1.35
270	22 × 50 1.58	25.4 × 40 1.56	30 × 35 1.53	35 × 30 1.58		25.4 × 50 1.54	30 × 40 1.62	35 × 30 1.56
330		25.4 × 50 1.80	30 × 35 1.78	35 × 30 1.75			30 × 45 2.03	35 × 35 1.80
390			30 × 40 2.02	35 × 35 2.00			30 × 50 2.12	35 × 40 2.08
470			30 × 50 2.31	35 × 40 2.29	← Case size ØD × L (mm) ← Ripple current (A rms) at 105°C, 120Hz			