

LARGE ALUMINUM ELECTROLYTIC CAPACITORS



Upgrade

JF

Long Life, High Ripple Series

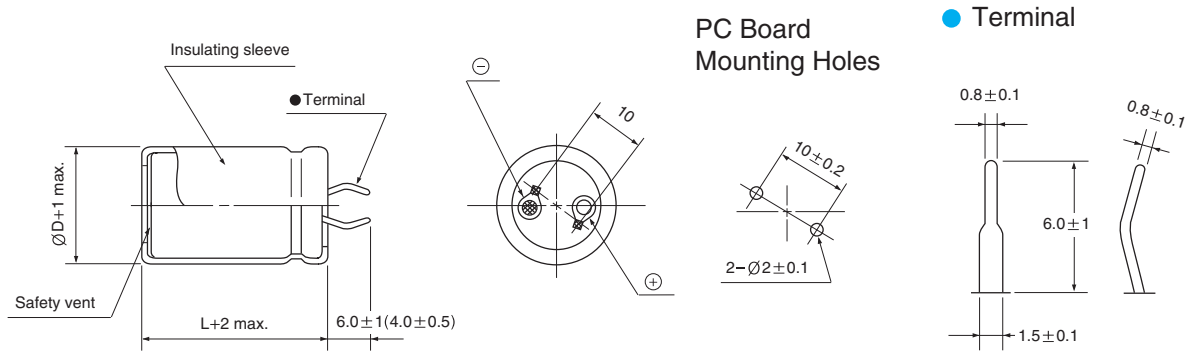
- Long life and high ripple than HL series
- Voltage range of 400 ~ 450V
- Load life of 5000 hours at 105°C
- Complied to the RoHS directive



Item	Characteristics		
Operating temperature range	-40 ~ +105°C		
Capacitance tolerance	±20% at 120Hz, 20°C		
Leakage current max.	$I=3\sqrt{CV}$ (µA) (after 5 minutes)		
Dissipation factor max.	Capacitance > 1000µF : tanδ increases by 0.01 for each 1000µF from below value.		
	WV	400	450
	tanδ	0.15	0.20
Load life (after application of the rated voltage for 5000 hours at 105°C)	Leakage current	Less than specified value	
	Capacitance change	Within ±25% of initial value	
	tanδ	Less than 250% of specified value	
Shelf life (at 105°C)	After 1000 hours no load test, leakage current, capacitance and tanδ are same as load life value. The measurement shall be performed at 20°C by the KS C IEC 60384 - 4		

DRAWING

Unit : mm



* Shorter terminal(4.0±0.5) is also available upon request.
Terminal length of height 20mm products is applied shorter terminal to standard terminal type.

FREQUENCY COEFFICIENT OF PERMISSIBLE RIPPLE CURRENT

WV	Frequency	50Hz	120Hz	300Hz	1kHz	10kHz ≤
400, 450		0.85	1.00	1.15	1.20	1.40

LARGE ALUMINUM ELECTROLYTIC CAPACITORS

JF series

● DIMENSIONS & MAXIMUM PERMISSIBLE RIPPLE CURRENT

WV μF ∅D	400				450			
	22	25.4	30	35	22	25.4	30	35
56					22 × 20 0.53			
68	22 × 20 0.58				22 × 25 0.61	25.4 × 20 0.62		
82	22 × 25 0.62	25.4 × 20 0.69			22 × 25 0.67	25.4 × 25 0.69		
100	22 × 25 0.74	25.4 × 25 0.75			22 × 30 0.79	25.4 × 25 0.81	30 × 20 0.84	
120	22 × 30 0.86	25.4 × 25 0.84	30 × 20 0.92		22 × 35 0.90	25.4 × 30 0.89	30 × 25 0.92	35 × 20 0.99
150	22 × 35 1.02	25.4 × 30 0.99	30 × 25 1.02		22 × 40 1.06	25.4 × 35 1.11	30 × 25 1.09	35 × 25 1.11
180	22 × 40 1.16	25.4 × 30 1.15	30 × 25 1.20		22 × 45 1.22	25.4 × 35 1.22	30 × 30 1.20	35 × 25 1.22
220	22 × 45 1.35	25.4 × 35 1.35	30 × 30 1.32	35 × 25 1.35	22 × 50 1.35	25.4 × 45 1.40	30 × 35 1.39	35 × 30 1.35
270	22 × 50 1.58	25.4 × 40 1.56	30 × 35 1.53	35 × 30 1.58		25.4 × 50 1.54	30 × 40 1.62	35 × 30 1.56
330		25.4 × 50 1.80	30 × 35 1.78	35 × 30 1.75			30 × 45 2.03	35 × 35 1.80
390			30 × 40 2.02	35 × 35 2.00			30 × 50 2.12	35 × 40 2.08
470			30 × 50 2.31	35 × 40 2.29	← Case size ∅D × L (mm) ← Ripple current (A rms) at 105°C, 120Hz			