

## HY Snap-in Terminal Type, Long Life Series

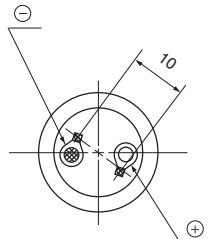
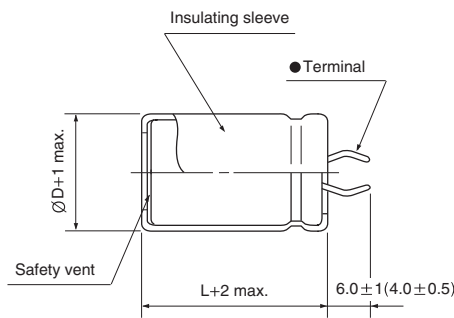
- Load life of 7000 hours at 105°C
- Voltage range of 160 ~ 500V
- Suited for use in industrial power supplies where high reliability
- Complied to the RoHS directive



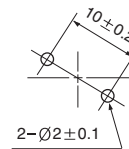
Item	Characteristics															
Operating temperature range	WV < 350: -40 ~ +105°C, WV ≥ 350: -25 ~ +105°C															
Capacitance tolerance	±20% at 120Hz, 20°C															
Leakage current max.	$I = 3\sqrt{CV}$ (µA) (after 5 minutes)															
Dissipation factor max. (at 120Hz, 20°C)	Capacitance > 1000µF : tanδ increases by 0.01 for each 1000µF from below value.															
	<table border="1"> <thead> <tr> <th>WV</th> <th>160</th> <th>200</th> <th>250</th> <th>350</th> <th>400</th> <th>450</th> <th>500</th> </tr> </thead> <tbody> <tr> <td>tanδ</td> <td>0.15</td> <td>0.15</td> <td>0.15</td> <td>0.15</td> <td>0.15</td> <td>0.20</td> <td>0.20</td> </tr> </tbody> </table>	WV	160	200	250	350	400	450	500	tanδ	0.15	0.15	0.15	0.15	0.15	0.20
WV	160	200	250	350	400	450	500									
tanδ	0.15	0.15	0.15	0.15	0.15	0.20	0.20									
Load life (after application of the rated voltage for 7000 hours at 105°C)	Leakage current	Less than specified value														
	Capacitance change	Within ±30% of initial value														
	tanδ	Less than 300% of specified value														
Shelf life (at 105°C)	After 1000 hours no load test, leakage current, capacitance and tanδ are same as load life value. The measurement shall be performed at 20°C by the KS C IEC 60384 - 4															

### ● DRAWING

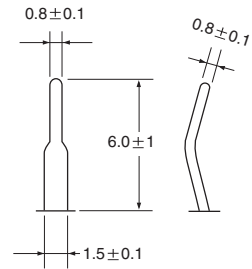
Unit : mm



### PC Board Mounting Holes



### ● Terminal



\* Shorter terminal(4.0±0.5) is also available upon request.  
Terminal length of height 20mm products is applied shorter terminal to standard terminal type.

### ● FREQUENCY COEFFICIENT OF PERMISSIBLE RIPPLE CURRENT

WV \ Frequency	50Hz	120Hz	300Hz	1kHz	10kHz ≤
160 ~ 250	0.85	1.00	1.20	1.25	1.45
350 ~	0.85	1.00	1.15	1.20	1.40

# LARGE ALUMINUM ELECTROLYTIC CAPACITORS

## ● DIMENSIONS & MAXIMUM PERMISSIBLE RIPPLE CURRENT

WV μF / ØD	160				200				250			
	22	25.4	30	35	22	25.4	30	35	22	25.4	30	35
330	22×25 1.11				22×30 1.16	25.4×25 1.16			22×40 1.19	25.4×35 1.24	30×25 1.20	
390	22×30 1.26	25.4×25 1.35			22×35 1.29	25.4×30 1.29	30×25 1.31		22×45 1.36	25.4×35 1.35	30×30 1.39	
470	22×30 1.39	25.4×30 1.40			22×40 1.42	25.4×35 1.48	30×30 1.52			25.4×45 1.63	30×35 1.61	35×30 1.64
560	22×40 1.55	25.4×30 1.55	30×25 1.57		22×45 1.63	25.4×35 1.62	30×30 1.67			25.4×50 1.85	30×35 1.75	35×30 1.80
680	22×45 1.80	25.4×35 1.78	30×30 1.93			25.4×40 1.87	30×35 1.93				30×45 2.12	35×35 2.08
820		25.4×40 2.06	30×30 2.01			25.4×50 2.24	30×40 2.23	35×30 2.17			30×50 2.42	35×40 2.39
1000		25.4×45 2.38	30×35 2.34				30×45 2.57	35×35 2.52				35×45 2.76
1200		25.4×50 2.54	30×40 2.56	35×35 2.56			30×50 2.71	35×40 2.68				35×50 2.90
1500			30×45 2.96	35×35 2.89				35×50 3.25				
1800			30×50 3.32	35×40 3.30								

WV μF / ØD	350				400				450			
	22	25.4	30	35	22	25.4	30	35	22	25.4	30	35
56					22×20 0.48				22×30 0.52	25.4×20 0.52		
68					22×25 0.55	25.4×20 0.55			22×30 0.58	25.4×25 0.58		
82	22×25 0.58				22×30 0.63	25.4×25 0.63			22×35 0.65	25.4×30 0.65	30×20 0.65	
100	22×25 0.67	25.4×25 0.67			22×30 0.70	25.4×25 0.70			22×40 0.74	25.4×30 0.72	30×25 0.73	
120	22×30 0.77	25.4×25 0.76			22×35 0.79	25.4×30 0.79	30×25 0.79			25.4×35 0.82	30×30 0.82	
150	22×35 0.88	25.4×30 0.88			22×40 0.90	25.4×30 0.88	30×25 0.90			25.4×40 0.94	30×35 0.96	35×25 0.94
180	22×40 0.99	25.4×30 0.96				25.4×35 1.01	30×30 1.01	35×25 1.01			30×35 1.05	35×30 1.07
220	22×45 1.12	25.4×35 1.11	30×30 1.11			25.4×40 1.14	30×35 1.16	35×25 1.14			30×40 1.20	35×35 1.21
270		25.4×40 1.26	30×35 1.28	35×25 1.26			30×40 1.33	35×30 1.31				35×40 1.40
330			30×35 1.42	35×30 1.45			30×45 1.52	35×35 1.48				35×45 1.60
390			30×40 1.60	35×35 1.61				35×40 1.68				35×50 1.79
470				35×40 1.85				35×45 1.91				
560				35×45 2.06				35×50 2.14				

WV μF / ØD	500			
	22	25.4	30	35
68	22×35 0.41	25.4×30 0.39		
82	22×40 0.47	25.4×30 0.46		
100	22×40 0.55	25.4×35 0.54	30×25 0.53	
120	22×45 0.61	25.4×40 0.62	30×30 0.61	35×25 0.56
150		25.4×45 0.69	30×35 0.72	35×30 0.70
180			30×40 0.84	35×35 0.83
220			30×45 0.97	35×40 0.97
270			30×50 1.17	35×40 1.18
330				35×50 1.32
390				35×55 1.48
470				35×60 1.60

← Case size ØD×L (mm)

← Ripple current (Arms) at 105°C, 120Hz